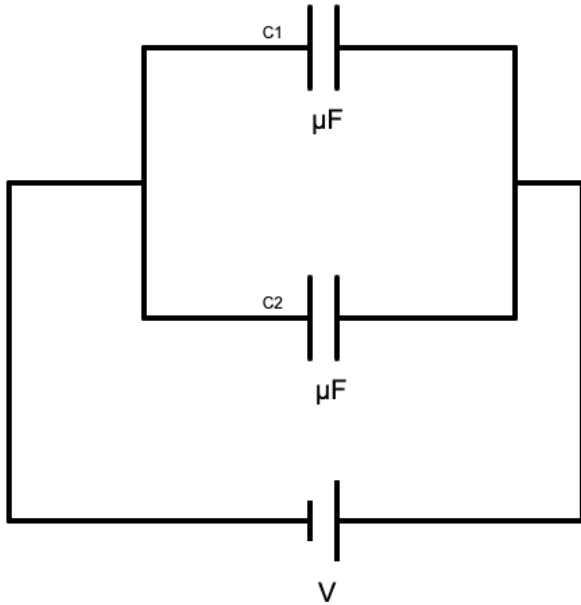


Charge Stored on Capacitors in Parallel

Step 1: Fill in the values of your capacitors and your battery.



Step 2: Calculate the total or effective capacitance of this series circuit. Show your work neatly below.

Step 3: Calculate the voltage across each capacitor. Show your work neatly below.

Step 4: Calculate the charge stored in each individual capacitor. Show your work for at least one capacitor. Put all your values for voltage and charges into your picture.

Step 5: Finally, enter your answers into the program to make sure you did everything correctly.